

Harmony III Non-Catalytic Stove

Crafted by Belgian Artisans



- Superior efficiency
- Rugged cast iron body
- Large glass window stays clean
- Classically inspired styling
- Heats up to 2,000 sq ft
- Smart, affordable investment



A Lifetime of Comforting, Efficient Heat.

Harmony III Non-Catalytic Stove

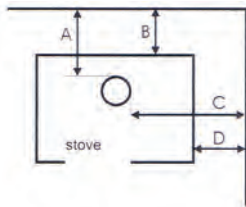
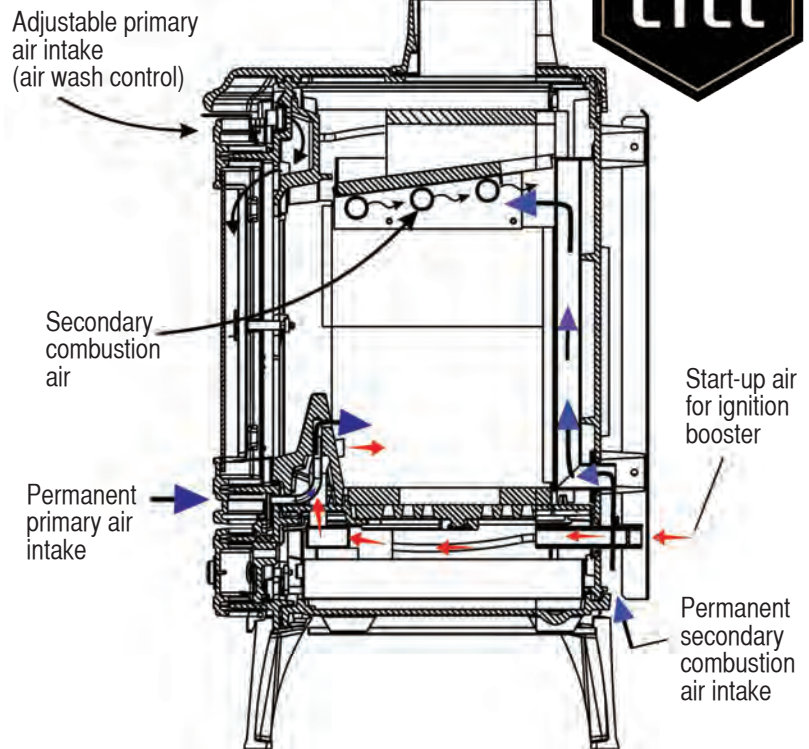
Classic styling and advanced non-catalytic combustion technology make the Harmony a comforting, efficient addition to your home. The cast iron body provides superior heat retention to get the most heat from the wood you burn. Enjoy a generous view of the flames through the wide, glass-paneled door. Airwash system burns off creosote to keep the glass crystal clean. The Harmony III easily heats an entire small home or a large living area.

Features and Benefits

- Up to 77% Efficient
- Durable cast iron body
- Side and front loading doors
- Top venting
- Adjustable primary air intake for heat control
- Direct draft mechanism to avoid smoke spillage during refueling
- Generous ashpan, masked by the stove's lower door
- Cast-iron protection plates in combustion chamber
- Meets or exceeds international emissions standards
- Includes fire glove, poker, handles and touch-up paint
- Made entirely in Belgium, using no Chinese components
- Color: Graphite

Specifications

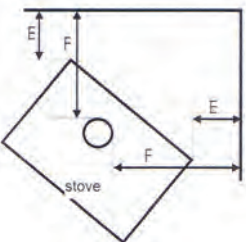
Flue collar size: 6"
 Flue position: top
 Max burn rate: 96,600 BTU/hr
 EPA Output range: 12,000–60,900 BTU/hr
 Particulate emissions: 2.72 g/hr
 Heating capacity: up to 2,000 sq ft
 Max. burn time: up to 10 hours
 Max log length: 24"
 Firebox capacity: 2.89 cu ft
 Loading: front and side
 Weight: 386 lbs.
 Minimum floor protection: 55"Wx45"D (USA and Canada)



Rear and Side Clearances

Connector pipe	A	B	C	D
Single wall	18"	13"	32"	20"
Double wall	14.5"	10"	28.5"	17"

Minimum Ceiling Height: 7'

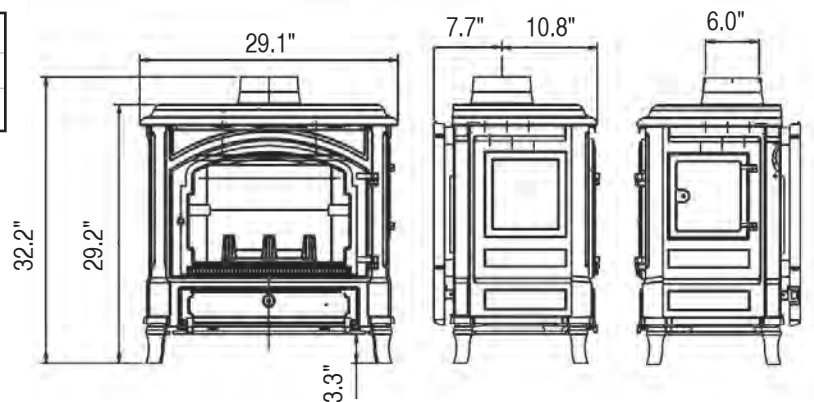


Corner Clearances

Connector pipe	E	F
Single wall	16"	27"
Double wall	7"	18"

Minimum Ceiling Height: 7'

Dimensions



Your Efel Dealer:

For more information, visit
Efel-USA.com.