

S33 Stove with Woodbox Technology

Crafted by Belgian Artisans



- Rugged cast iron body
- Clean-burning – glass stays crystal clear
- Precise control over fire's intensity
- Optional remote control with digital thermostat
- Heats up to 1,600 sq ft
- Smart, affordable investment



The Stove that Obeys Your Commands.

S33 Stove with Woodbox Technology

Woodbox Combustion Technology: Internationally patented technology and rugged cast iron stove give you unbeatable control over your wood fire.

How It Works: Preheated combustion air (over 390°F) is delivered slowly and evenly over the fire, giving you high efficiency, low emissions and long, even burn times. This advanced technology also keeps the glass crystal clear, even when the stove burns on low setting.

The Wood Stove That Obeys Your Commands: With the programmable digital thermostat and the optional remote control kit, you have precise control over the fire's intensity, from the comfort of your couch. Select your desired temperature, and the stove regulates itself automatically. A calm fire, a roaring blaze or dancing flames: you decide.

Features and Benefits

- Up to 80% Efficient
- Cast iron body for optimum heat retention
- Double-glazed window
- Top flue connection
- Internationally patented Woodbox Technology
- Airtight firebox constructed of two layers of 10-gauge steel
- Cast iron door and internal protection plates
- Ash pan and grate
- Meets or exceeds international emissions standards
- Includes fire glove, poker, handles and touch-up paint
- Stove made entirely in Belgium (remote control made in China)
- Available in Graphite (painted) or durable porcelain finishes like high gloss Brown

Specifications

Flue collar size: 6"
 Flue position: top
 Max burn rate: 59,000 BTU/hr
 EPA output range: 8,600 – 37,300 BTU/hr
 Emissions rate: 3.43 g/hr
 Heating capacity: 1,200 – 1,600 sq ft
 Max. burn time: up to 10 hours
 Max log length: 17"
 Firebox capacity: 1.6 cu ft
 Weight: 358 lbs
 Minimum floor protection: 35"Wx32"D (USA)
 41"Wx42"D (Canada)

Air is super-heated before it is slowly and evenly fed over the fire.



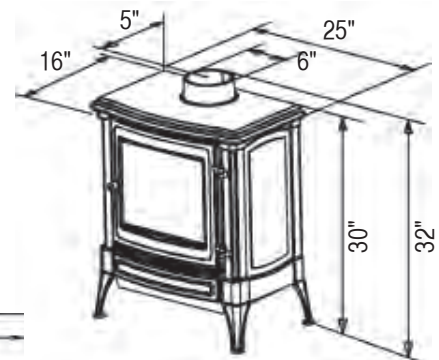
Firebox made of two layers of 10-gauge steel.

The air volume knob, operated manually or with the remote control, adjusts the air supply and therefore the intensity of the flame.



Optional remote control with built-in thermostat may be programmed to automatically maintain desired temperature. Actual remote design may vary.

Dimensions



Rear and Side Clearances

Connector pipe	A	B	C	D
Single wall	14"	13"	18"	9"
Double wall	13"	12"	18"	9"

Minimum Ceiling Height: 30" (unit to ceiling)

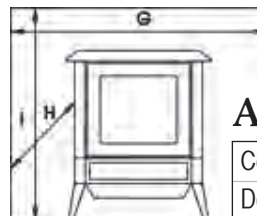
Corner Clearances

Connector pipe	E	F
Single wall	10.5"	19"
Double wall	7"	15.5"

Minimum Ceiling Height: 30" (unit to ceiling)

Alcove Clearances

Connector pipe	G	H	I
Double wall	48"	28"	60"



For more information, visit
Efel-USA.com.

Your Efel Dealer: